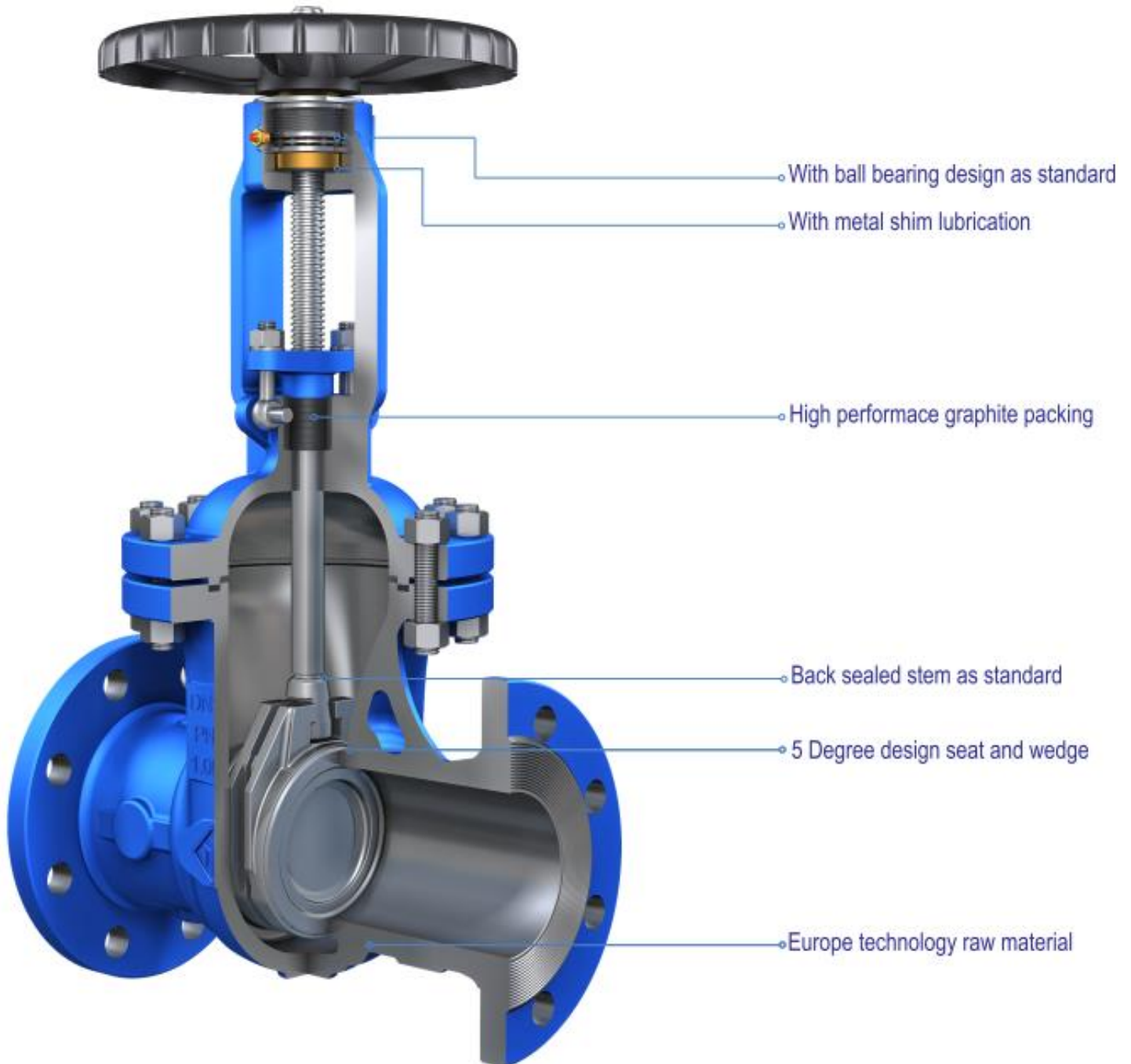


S38

Gate valve flange, F7, stainless steel

S38 111 040.11 - 063.11



CE0036

ISO 9001-2008
CERTIFIED

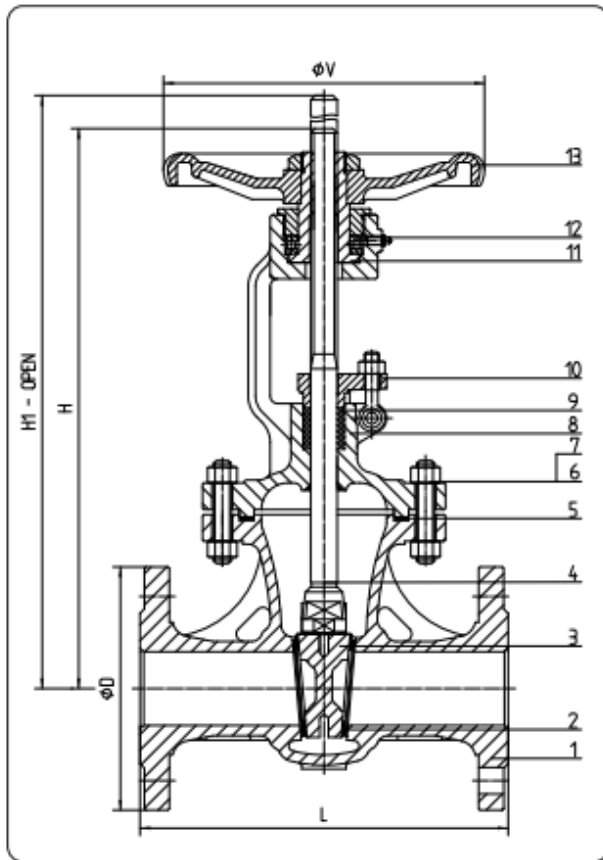


TÜV Rheinland
AD 2000 Merkblatt W0
APPROVED

S38

Gate valve flange, F7, stainless steel S38 111 040.11 - 063.11

DIN GATE VALVES DIN PN40 - PN63 F7



standard features

- **Description** OVAL BODY
BOLTED BONNET
OUTSIDE SCREW AND YOKE
RISING STEM
NON RISING HANDWHEEL
FLEXIBLE WEDGE
- **Design** BS EN 1984
- **Face to face** BS EN 558-1 S26
- **Flanges** BS EN 1092
- **Testing** BS EN 12266 A
- **Rating** BS EN 12516
- **Marking** EN 19
CE - PED
- **Certificates** EN 10204 – 3.1 B

PART NAME	MATERIAL		
1. Body	1.0619	1.4308	1.4408
2. Seat Surface	Overlay X20Cr13 (1)	1.4308(1)	1.4408(1)
3. Wedge Seat Surface	X20Cr13 (2)	1.4308(2)	1.4408(2)
4. Stem	X20Cr13 (3)	1.4301(3)	1.4401(3)
5. Gasket	SS304+Graphite (6)	SS304+Graphite (6)	SS316+Graphite (6)
6. Hexagon Nut	AST A194 2H	AST A194 8	ASTM A194 8
7. Bolts	AST A193 B7	ASTM A193 B8	ASTM A193 B8
8. Bonnet	1.0619	1.4308	1.4408
9. Packing	Graphite (5)	Graphite (5)	Graphite (5)
10. Gland	1.0619	1.4308	1.4308
11. Ste Nut	Cu-Alloy (4)	Cu-Alloy	Cu-Alloy
12. Bearing	Alloy Steel	Alloy Steel	Alloy Steel
13. Handwheel	C.S	C.S	C.S

(1) On request: faced with Stellite® - Mone® - Hastelloy® - other materials

(2) On request: faced with Stellite® - Mone® - Hastelloy® - other materials

(3) On request: 17 Cr - Mone® - Hastelloy® - other materials

(*) Gear operator recommended from DN 500.

(4) On request: GGG50 - Nitronic 60

(5) On request: PTFE - other materials

(6) On request: PTFE - other materials

All data, subject to technical changes, are only for information and not for official use.

CE0036

IS 9001-2008
CERTIFIED



TÜV Rheinland
AD 2000 Merkblatt W0
APPROVED

DIN GATE VALVES DIN PN40 - PN63 F7

FIG.F.163 GATE VALVES DIN PN40 - Face to Face F7

SIZE DN	50	65	80	100	125	150	200	250	300	350	400	450	500	600	700	800	900	1000	--	--
L RF/BW	250	290	310	350	400	450	550	650	750	850	950	1050	1150	1350	1550	1750	1950	2150	--	--
D	165	185	200	235	270	300	375	450	515	580	660	685	755	890	995	1140	1250	1360	--	--
V	200	200	225	250	300	400	500	500	600	700	700	800	1000	1200	1200	1400	1400	1400	--	--
H	400	430	500	520	610	700	900	1050	1200	1400	1580	1750	1900	2300	2600	3200	4400	4700	--	--
H1	470	495	580	620	720	840	1100	1300	1540	1750	1980	2200	2450	3000	3500	4100	5500	5900	--	--

FIG.F.164 GATE VALVES DIN PN63 - Face to Face F7

SIZE DN	50	65	80	100	125	150	200	250	300	350	400	500	600
L RF/BW	250	290	310	350	400	450	550	650	750	850	950	1150	1350
D	180	205	215	250	295	345	415	470	530	600	670	800	930
V	200	250	250	400	400	500	600	700	700	800	1000	1000	1200
H	450	500	540	670	685	810	970	1155	1330	1500	1680	2100	2400
H1	500	570	620	780	810	980	1180	1420	1660	1880	2100	2650	3100

features on request

- TOP FLANGE TO ISO 5210
- GEAR OPERATOR
- CHAIN WHEEL OPERATOR
- PNEUMATIC ACTUATOR
- HYDRAULIC ACTUATOR
- ELECTRIC ACTUATOR
- POSITION INDICATOR
- LIMIT SWITCHES
- LOCKING / INTERLOCK SYSTEM
- PTFE SOFT SEATS
- STEM PROTECTION
- STEM EXTENSION
- LANTERN RING
- EXTENDED STUFFING BOX
- LIVE LOADED PACKING
- DRAIN PLUG
- BY PASS
- BW ENDS
- ANSI CONNECTIONS

All dimensions in mm (except where differently indicated)

All data, subject to technical changes, are only for information and not for official use.

